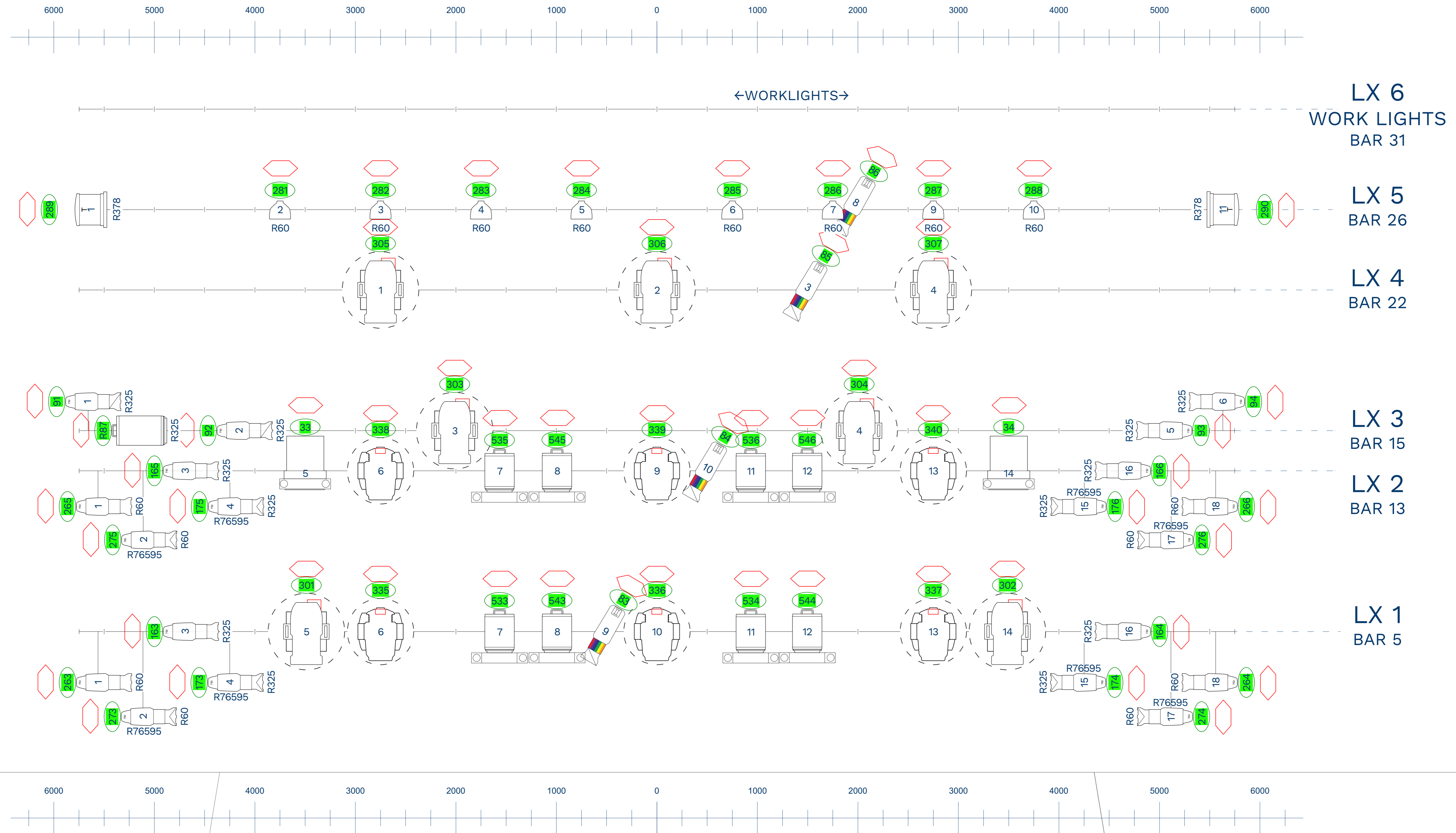


Cyc LX

- 33
- 32
- 31
- 30
- 29
- 28
- 27
- 26
- 25
- 24
- 23
- 22
- 21
- 20
- 19
- 18
- 17
- 16
- 15
- 14
- 13
- 12
- 11
- 10
- 9
- 8
- 7
- 6
- 5
- 4
- Shutters?
- 3
- 2
- 1



**Accessory**

- Rainbow 15" Pro 2 Scroller
- Rainbow 8" Scroller

**Light**

- ADB Lighting C203 @ 2kw
- ADB Lighting F101 @ 1.2kw
- ADB Lighting F201 @ 2kw
- ARRI Compact HMI 2500 Theater @ 2.5kw
- ST 5 @ 5kw
- ETC CE Source4 PAR MCM (MFL) @ 575w
- ETC Source4 14deg 750W @ 750 w
- ETC Source4 19deg 750W @ 750w
- ETC Source4 26deg 750W @ 750w
- ETC Source4 36deg 750W @ 750w
- ETC Source4 50deg 750 @ 750w
- ETC Source4 LED2LS 14deg @ 171w
- ETC Source4 LED2LS 26deg @ 171w
- Robert Juliat 611 SX @ 1kw/1.2kw
- Robert Juliat 613 SX @ 1kw/1.2kw
- Robert Juliat 614 SX @ 1kw/1.2kw

**Moving Light**

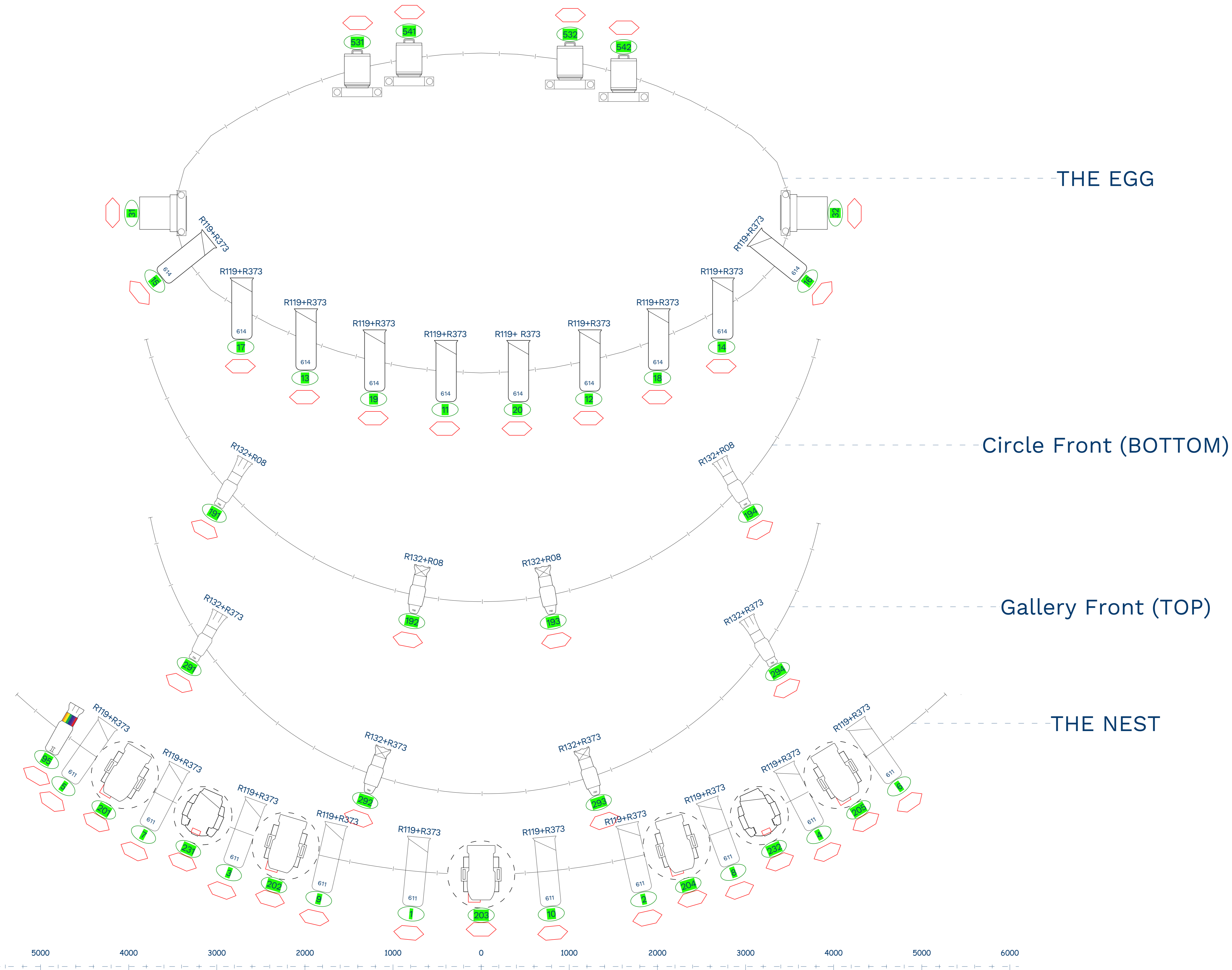
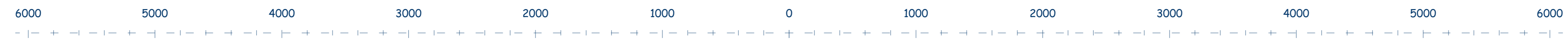
- ETC Revolution @ 750w
- Martin MAC TW1 @ 1.233kw
- Martin MAC TW1 Narrow @ 1.233kw

**Typical**

- Color Wheel
- Dimmer

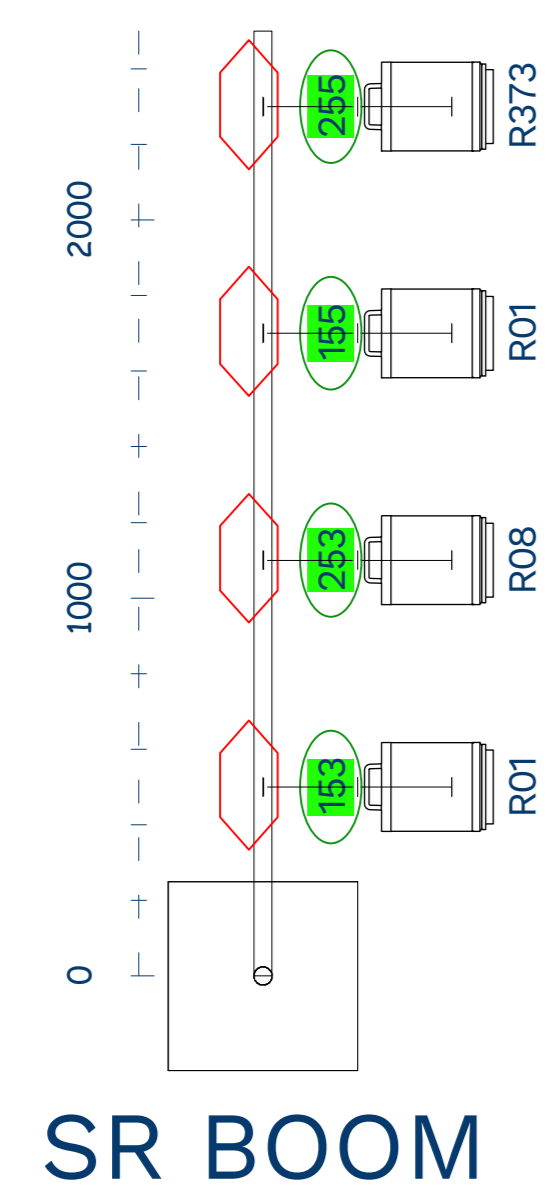
The Wheel

A0 Stage Plot	Date : 26/9/19
Milton Court Theatre	Scale : 1:20
Director: Caroline Byrne	A0 Sht-1
Designer: Ana Inés Jabares-Pita	
Lighting Designer: Liam Strong	OF
Revision 1.0.2	3

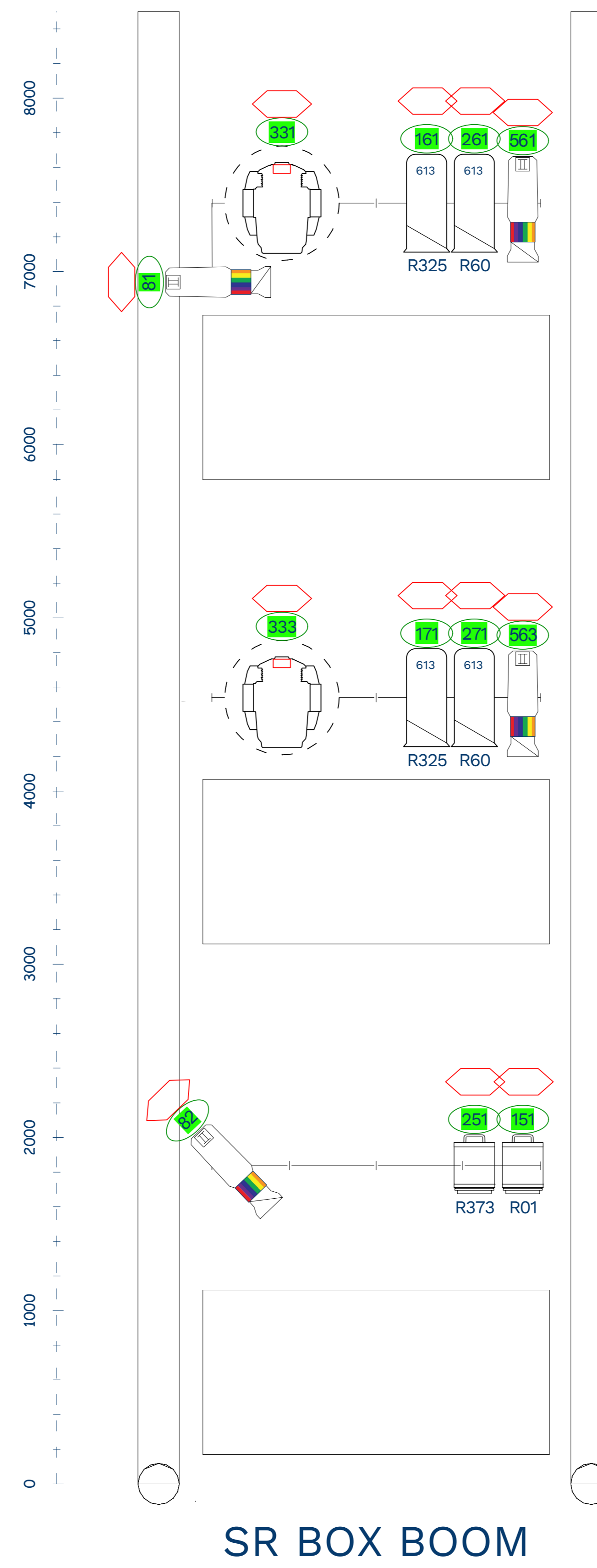
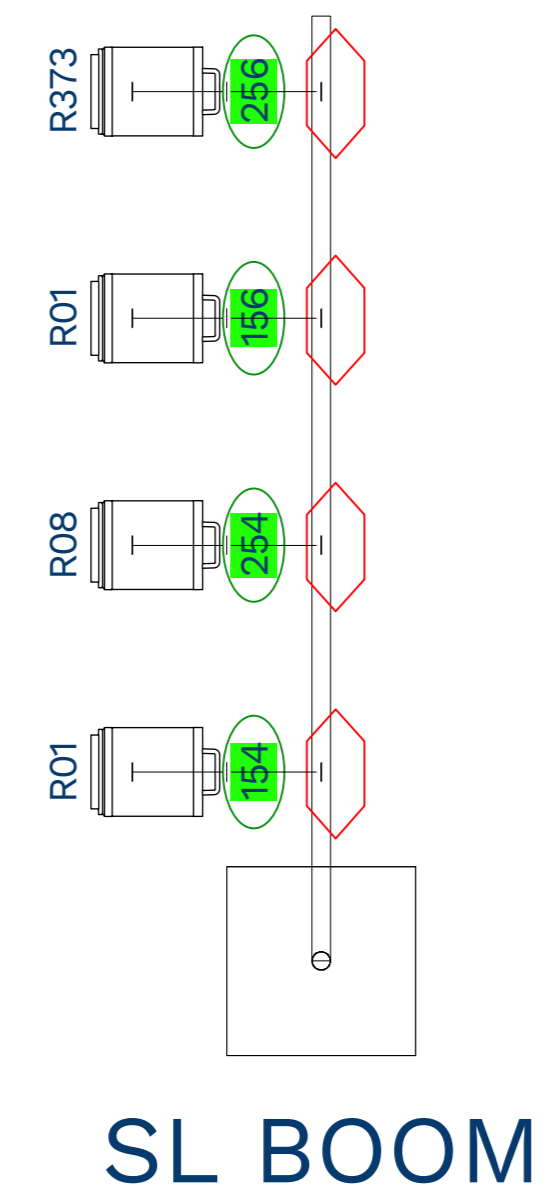


- Accessory**
- Rainbow 15" Pro 2 Scroller
  - Rainbow 8" Scroller
- Light**
- ADB Lighting C203 @ 2kw
  - ADB Lighting F101 @ 1.2kw
  - ADB Lighting F201 @ 2kw
  - ARRI Compact HMI 2500 Theater @ 2.5kw
  - ST 5 @ 5kw
  - ETC CE Source4 PAR MCM (MFL) @ 575w
  - ETC Source4 14deg 750W @ 750 w
  - ETC Source4 19deg 750W @ 750w
  - ETC Source4 26deg 750W @ 750w
  - ETC Source4 36deg 750W @ 750w
  - ETC Source4 50deg 750 @ 750w
  - ETC Source4 LED2LS 14deg @ 171w
  - ETC Source4 LED2LS 26deg @ 171w
  - Robert Juliat 611 SX @ 1kw/1.2kw
  - Robert Juliat 613 SX @ 1kw/1.2kw
  - Robert Juliat 614 SX @ 1kw/1.2kw
- Moving Light**
- ETC Revolution @ 750w
  - Martin MAC TW1 @ 1.233kw
  - Martin MAC TW1 Narrow @ 1.233kw
- Typical**
- Color
  - Dimmer

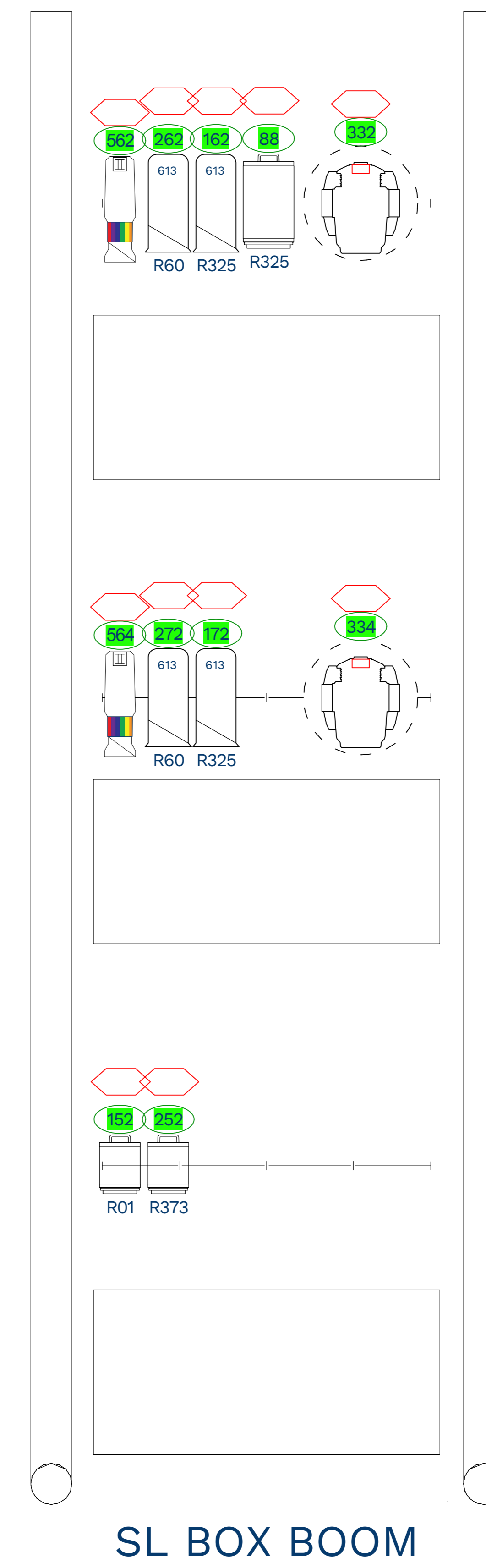
A0 FOH Plot	Date : 26/9/19
Milton Court Theatre	Scale : 1:20
Director: Caroline Byrne	A0 Sht-2
Designer: Ana Inés Jabares-Pita	
Lighting Designer: Liam Strong	OF
Revision 1.0.2	3



STAGE



STAGE

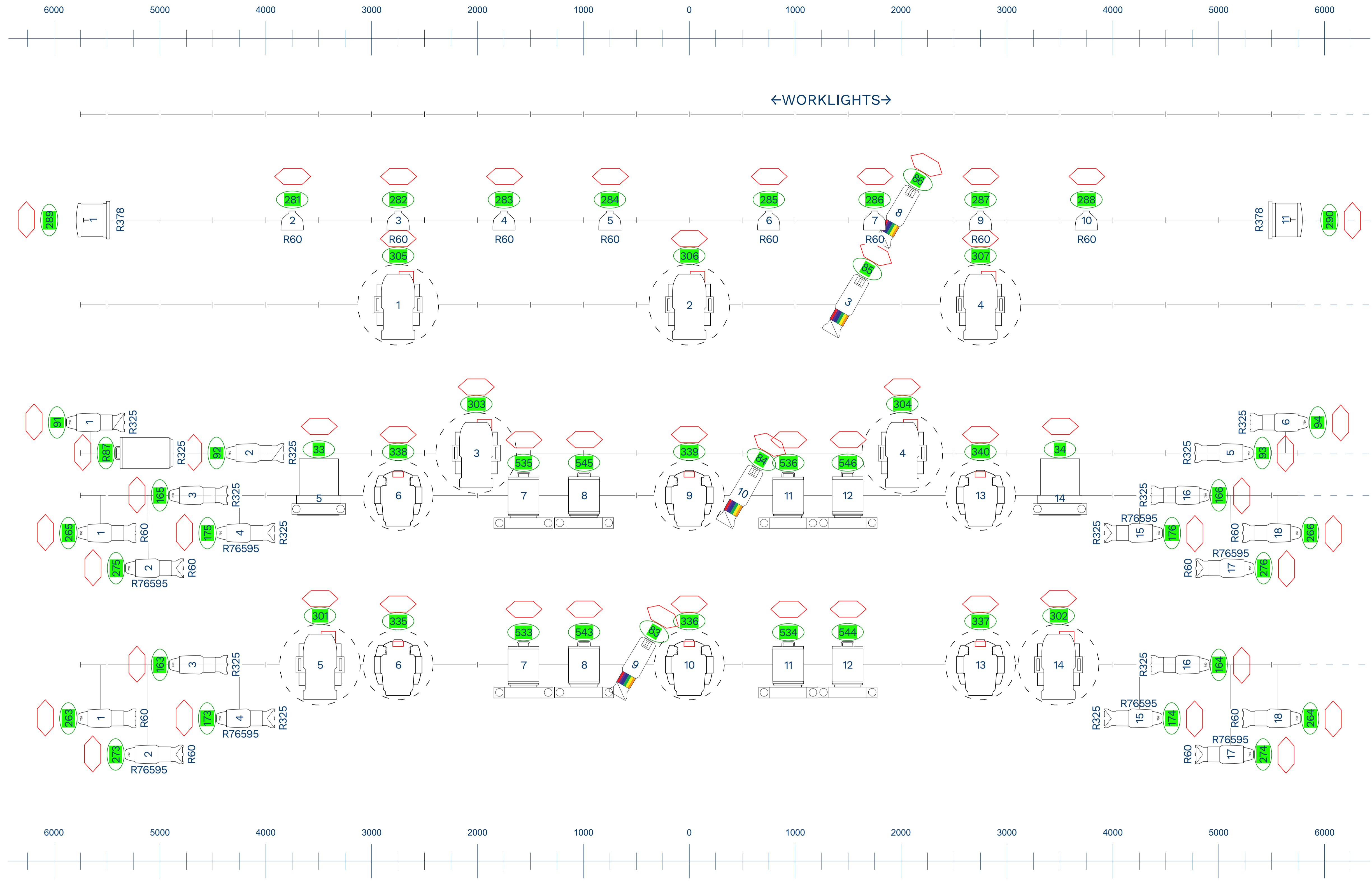


- Accessory**
- Rainbow 15" Pro 2 Scroller
  - Rainbow 8" Scroller
- Light**
- ADB Lighting C203 @ 2kw
  - ADB Lighting F101 @ 1.2kw
  - ADB Lighting F201 @ 2kw
  - ARRI Compact HMI 2500 Theater @ 2.5kw
  - ST 5 @ 5kw
  - ETC CE Source4 PAR MCM (MFL) @ 575w
  - ETC Source4 14deg 750W @ 750 w
  - ETC Source4 19deg 750W @ 750w
  - ETC Source4 26deg 750W @ 750w
  - ETC Source4 36deg 750W @ 750w
  - ETC Source4 50deg 750 @ 750w
  - ETC Source4 LED2LS 14deg @ 171w
  - ETC Source4 LED2LS 26deg @ 171w
  - Robert Juliat 611 SX @ 1kw/1.2kw
  - Robert Juliat 613 SX @ 1kw/1.2kw
  - Robert Juliat 614 SX @ 1kw/1.2kw
- Moving Light**
- ETC Revolution @ 750w
  - Martin MAC TW1 @ 1.233kw
  - Martin MAC TW1 Narrow @ 1.233kw
- Typical**
- Color
  - Dimmer

A0 Boom Plot	Date : 26/9/19
Milton Court Theatre	Scale : 1:20
Director: Caroline Byrne	A0 Sht-3
Designer: Ana Inés Jabares-Pita	
Lighting Designer: Liam Strong	
Revision 1.0.2	OF 3

Cyc LX

- 33
- 32
- 31
- 30
- 29
- 28
- 27
- 26
- 25
- 24
- 23
- 22
- 21
- 20
- 19
- 18
- 17
- 16
- 15
- 14
- 13
- 12
- 11
- 10
- 9
- 8
- 7
- 6
- 5
- 4
- 3
- 2
- 1



**Accessory**

- Rainbow 15" Pro 2 Scroller
- Rainbow 8" Scroller

**Light**

- ADB Lighting C203 @ 2kw
- ADB Lighting F101 @ 1.2kw
- ADB Lighting F201 @ 2kw
- ARRI Compact HMI 2500 Theater @ 2.5kw
- ST 5 @ 5kw
- ETC CE Source4 PAR MCM (MFL) @ 575w
- ETC Source4 14deg 750W @ 750 w
- ETC Source4 19deg 750W @ 750W
- ETC Source4 26deg 750W @ 750W
- ETC Source4 36deg 750W @ 750W
- ETC Source4 50deg 750 @ 750W
- ETC Source4 LED2LS 14deg @ 171w
- ETC Source4 LED2LS 26deg @ 171w
- Robert Juliat 611 SX @ 1kw/1.2kw
- Robert Juliat 613 SX @ 1kw/1.2kw
- Robert Juliat 614 SX @ 1kw/1.2kw

**Moving Light**

- ETC Revolution @ 750w
- Martin MAC TW1 @ 1.233kw
- Martin MAC TW1 Narrow @ 1.233kw

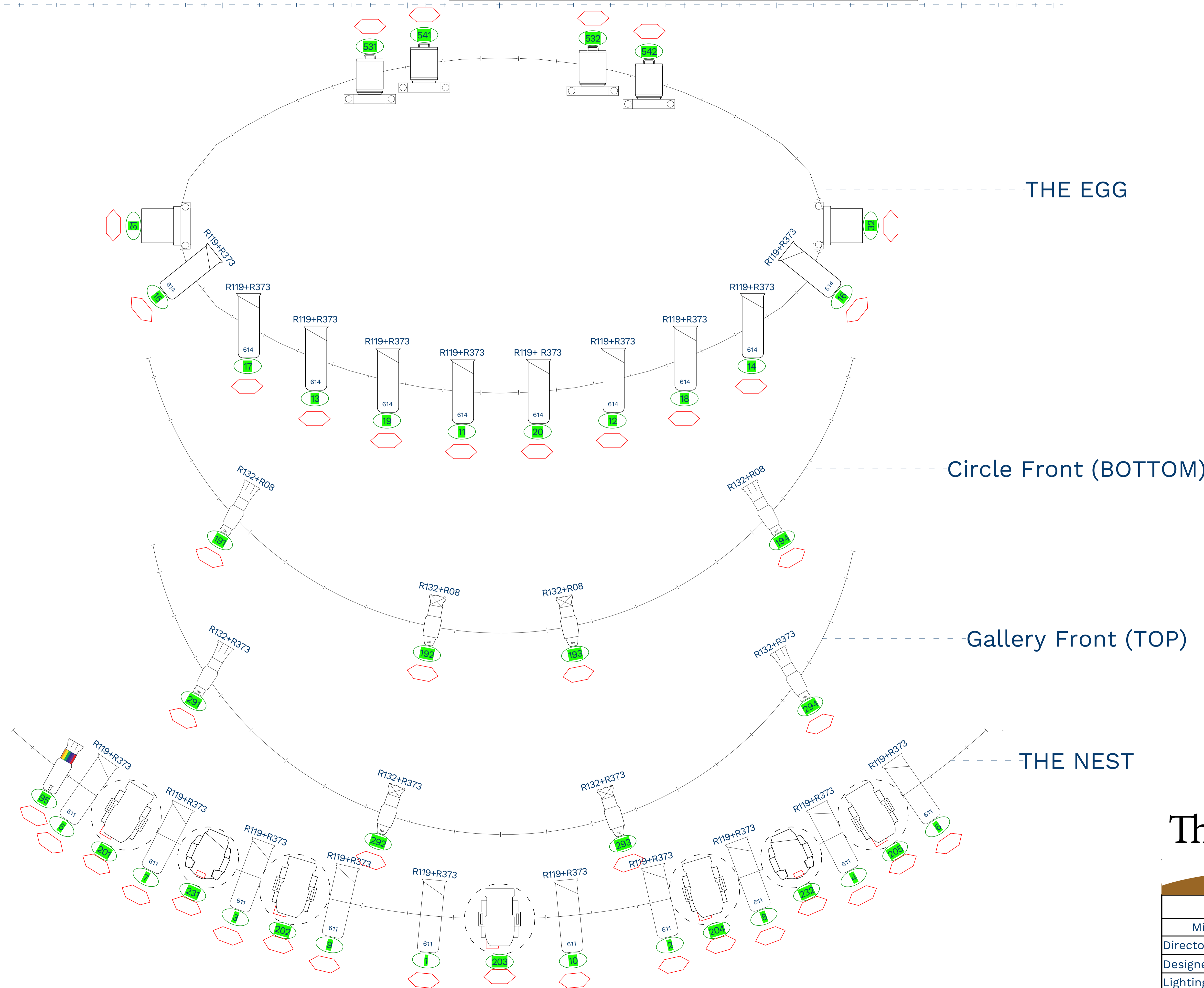
**Typical**

- Color Gobos
- Dimmer

# The Wheel

A1 Stage Plot	Date : 26/9/19
Milton Court Theatre	Scale : 1:20
Director: Caroline Byrne	A1 Sht-1
Designer: Ana Inés Jabares-Pita	
Lighting Designer: Liam Strong	OF
Revision 1.0.2	3

6000 5000 4000 3000 2000 1000 0 1000 2000 3000 4000 5000 6000



**Accessory**

- Rainbow 15" Pro 2 Scroller
- Rainbow 8" Scroller

**Light**

- ADB Lighting C203 @ 2kw
- ADB Lighting F101 @ 1.2kw
- ADB Lighting F201 @ 2kw
- ARRI Compact HMI 2500 Theater @ 2.5kw
- ST 5 @ 5kw
- ETC CE Source4 PAR MCM (MFL) @ 575w
- ETC Source4 14deg 750W @ 750 w
- ETC Source4 19deg 750W @ 750w
- ETC Source4 26deg 750W @ 750w
- ETC Source4 36deg 750W @ 750w
- ETC Source4 50deg 750 @ 750w
- ETC Source4 LED2LS 14deg @ 171w
- ETC Source4 LED2LS 26deg @ 171w
- Robert Juliat 611 SX @ 1kw/1.2kw
- Robert Juliat 613 SX @ 1kw/1.2kw
- Robert Juliat 614 SX @ 1kw/1.2kw

**Moving Light**

- ETC Revolution @ 750w
- Martin MAC TW1 @ 1.233kw
- Martin MAC TW1 Narrow @ 1.233kw

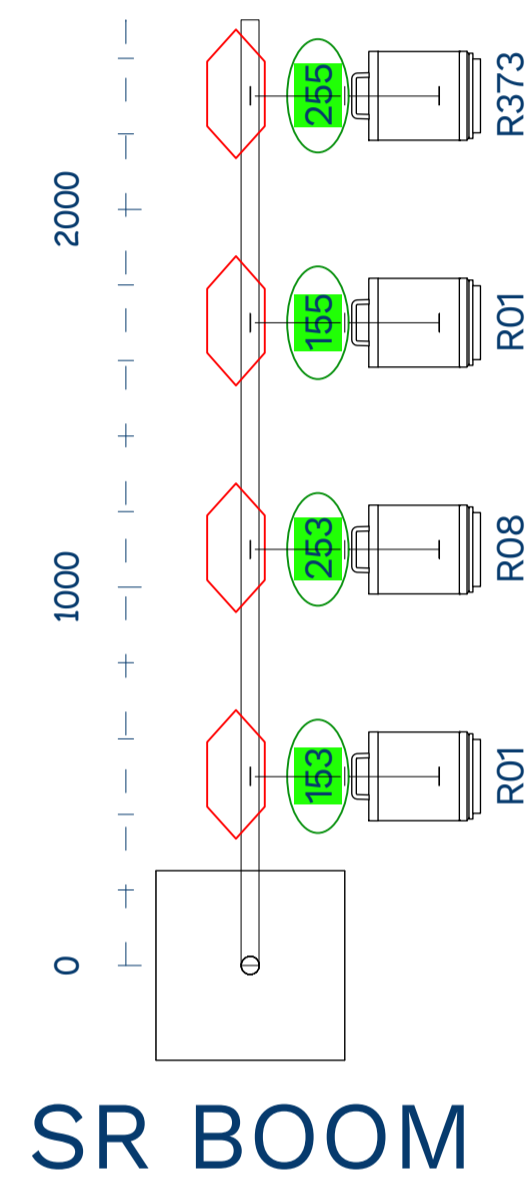
**Typical**

Color  
Unit  
Cable  
Dimmer

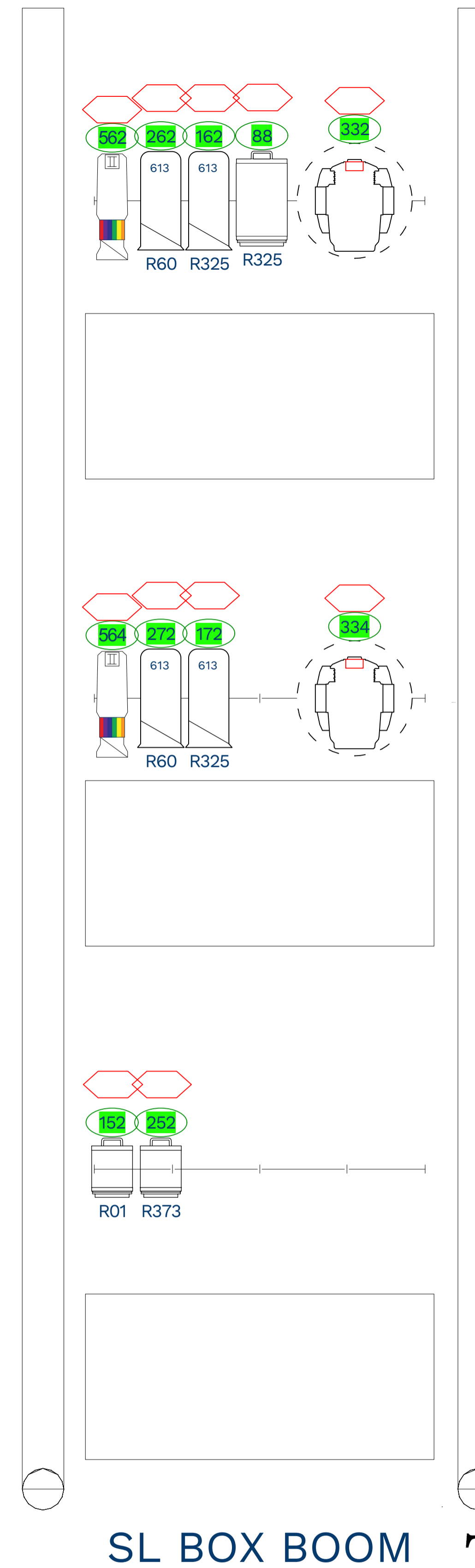
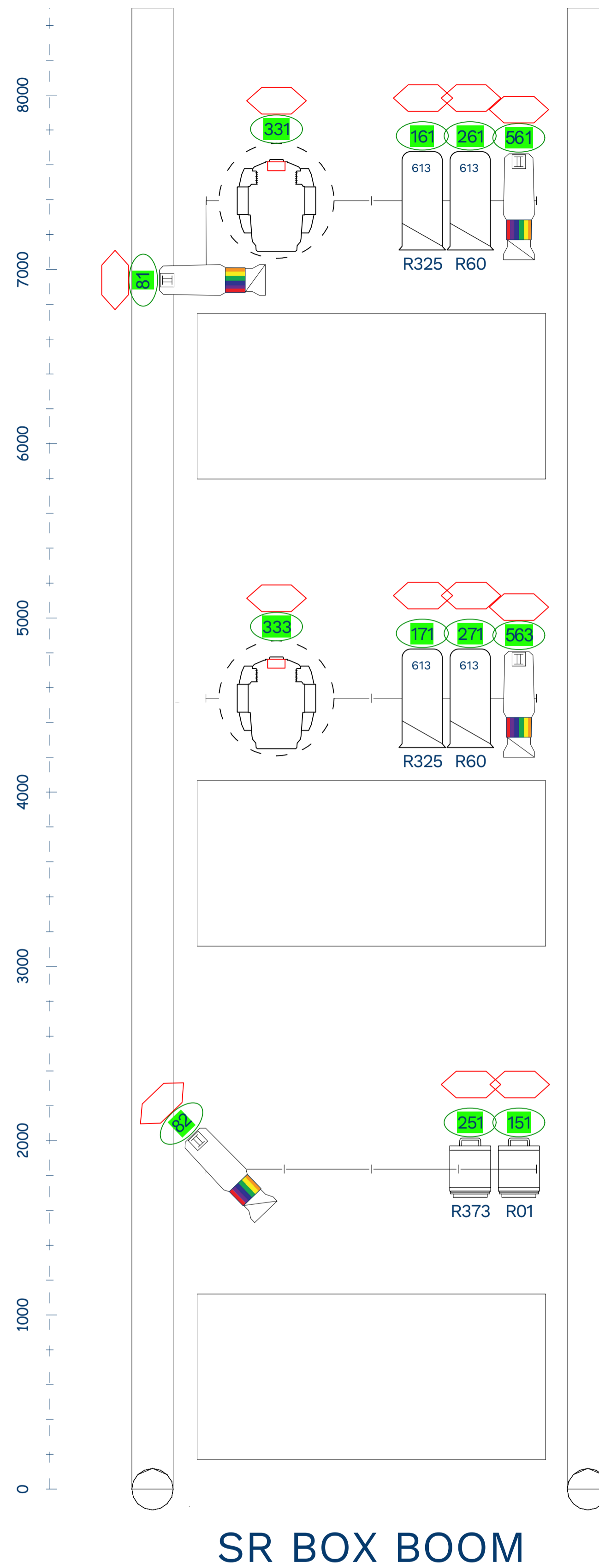
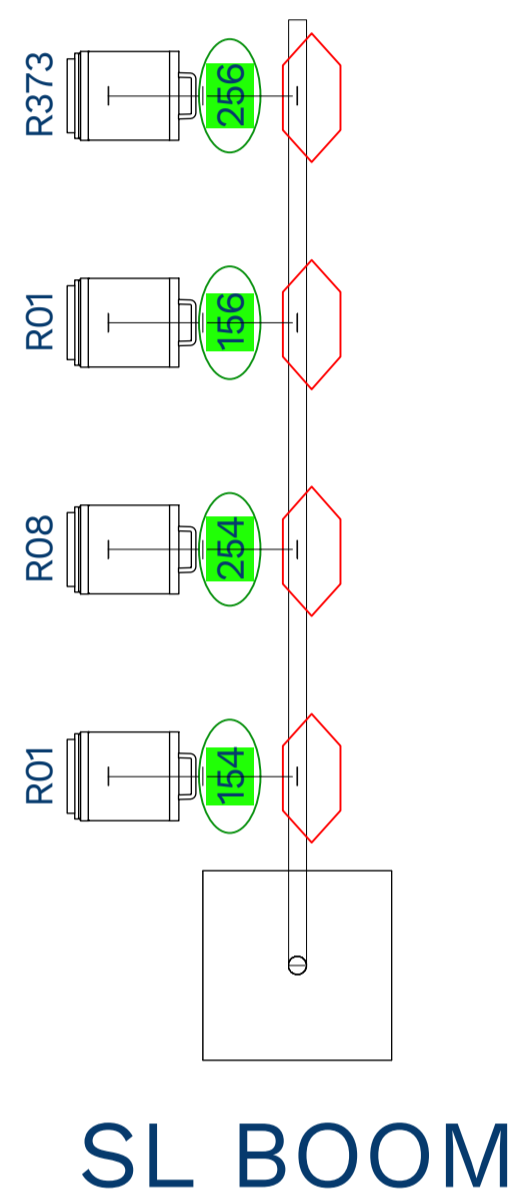


A1 FOH Plot	Date : 26/9/19
Milton Court Theatre	Scale : 1:20
Director: Caroline Byrne	A1 Sht-2
Designer: Ana Inés Jabares-Pita	
Lighting Designer: Liam Strong	OF
Revision 1.0.2	3

6000 5000 4000 3000 2000 1000 0 1000 2000 3000 4000 5000 6000



STAGE



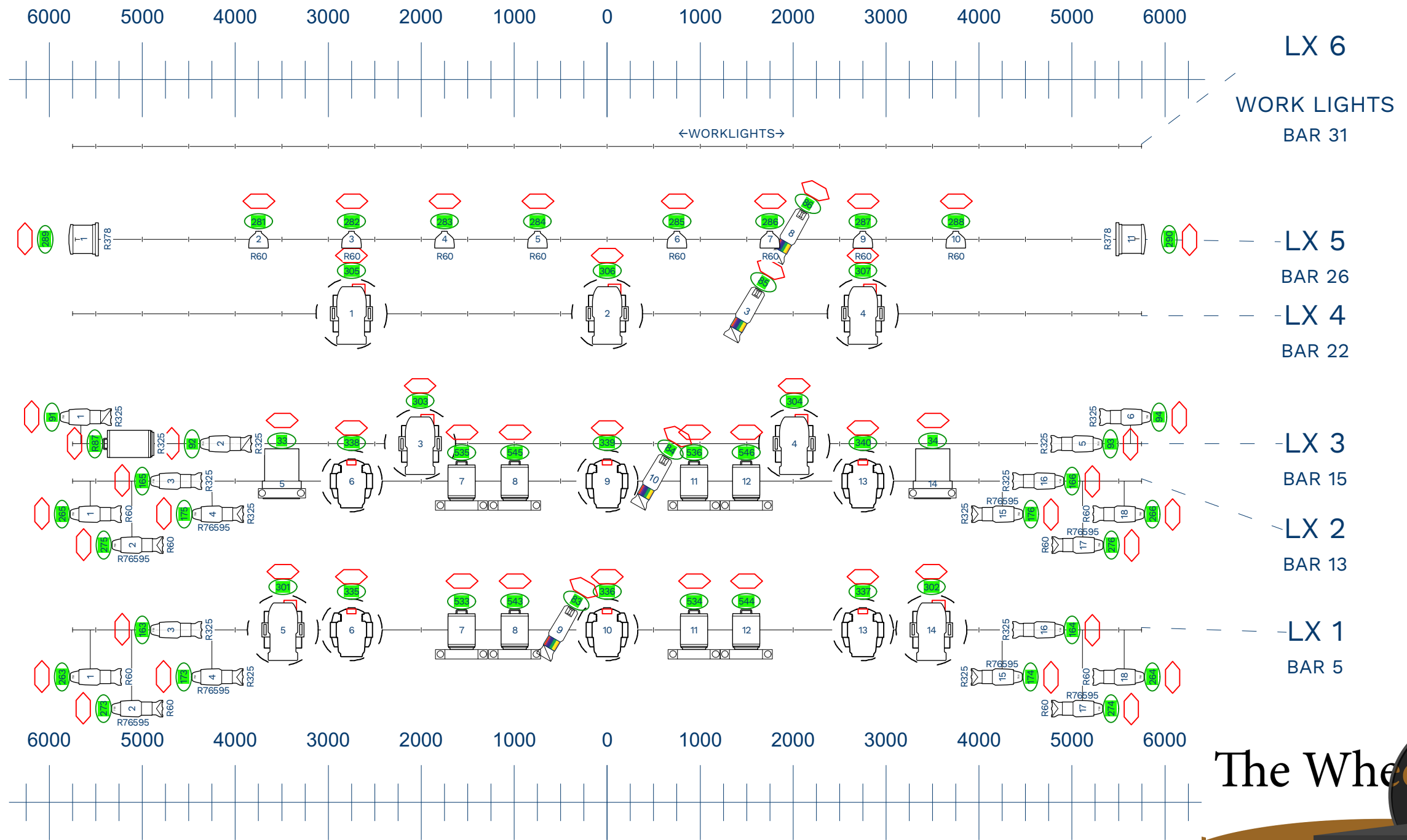
- Accessory**
- Rainbow 15" Pro 2 Scroller
  - Rainbow 8" Scroller
- Light**
- ADB Lighting C203 @ 2kw
  - ADB Lighting F101 @ 1.2kw
  - ADB Lighting F201 @ 2kw
  - ARRI Compact HMI 2500 Theater @ 2.5kw
  - ST 5 @ 5kw
  - ETC CE Source4 PAR MCM (MFL) @ 575w
  - ETC Source4 14deg 750W @ 750 w
  - ETC Source4 19deg 750W @ 750w
  - ETC Source4 26deg 750W @ 750w
  - ETC Source4 36deg 750W @ 750w
  - ETC Source4 50deg 750 @ 750w
  - ETC Source4 LED2LS 14deg @ 171w
  - ETC Source4 LED2LS 26deg @ 171w
  - Robert Juliat 611 SX @ 1kw/1.2kw
  - Robert Juliat 613 SX @ 1kw/1.2kw
  - Robert Juliat 614 SX @ 1kw/1.2kw
- Moving Light**
- ETC Revolution @ 750w
  - Martin MAC TW1 @ 1.233kw
  - Martin MAC TW1 Narrow @ 1.233kw
- Typical**
- Color
  - Unit
  - Output
  - Beam
  - Dimmer

The Wheel

A1 Boom Plot	Date : 26/9/19
Milton Court Theatre	Scale : 1:20
Director: Caroline Byrne	A1 Sht-3
Designer: Ana Inés Jabares-Pita	
Lighting Designer: Liam Strong	OF
Revision 1.0.2	3

Cyc LX

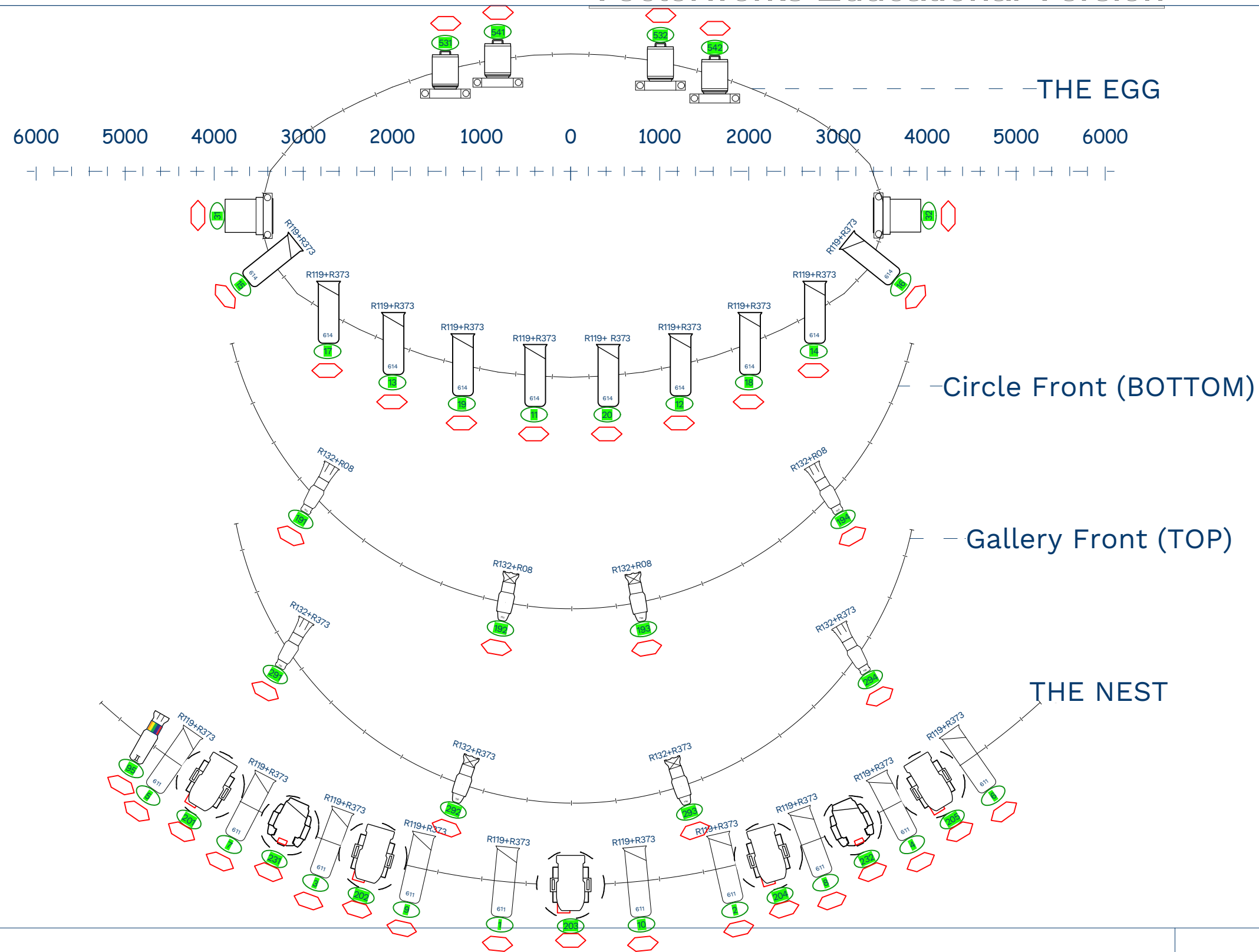
- 33
- 32
- 31
- 30
- 29
- 28
- 27
- 26
- 25
- 24
- 23
- 22
- 21
- 20
- 19
- 18
- 17
- 16
- 15
- 14
- 13
- 12
- 11
- 10
- 9
- 8
- 7
- 6
- 5
- 4
- Shutters?
- 3
- 2
- 1



The Wheel

<b>Accessory</b>	Rainbow 15" Pro 2 Scroller	Rainbow 8" Scroller	ADB Lighting C203 @ 2kw	ADB Lighting F101 @ 1.2kw	ADB Lighting F201 @ 2kw	ARRI Compact HMI 2500 Theater @ 2.5kw	ST 5 @ 5kw	ETC CE Source4 PAR MCM (MFL) @ 575w	ETC Source4 14deg 750W @ 750 w	ETC Source4 19deg 750W @ 750w	ETC Source4 26deg 750W @ 750w	ETC Source4 36deg 750W @ 750w	ETC Source4 50deg 750 @ 750w	ETC Source4 LED2LS 14deg @ 171w	ETC Source4 LED2LS 26deg @ 171w	Robert Juliat 611 SX @ 1kw/1.2kw	Robert Juliat 613 SX @ 1kw/1.2kw	Robert Juliat 614 SX @ 1kw/1.2kw	<b>Moving Light</b>	ETC Revolution @ 750w	Martin MAC TW1 @ 1.233kw	Martin MAC TW1 Narrow @ 1.233kw
<b>Light</b>																						

<b>A3 Stage Plot</b>		
Milton Court Theatre		
Director: Caroline Byrne		
Designer: Ana Inés Jabares-Pita		
Lighting Designer: Liam Strong		
Revision	Date	Scale
1.0.2	26/9/19	1:50



# The Wheel

## A3 FOH Plot

Milton Court Theatre

Director: Caroline Byrne

Designer: Ana Inés Jabares-Pita

Lighting Designer: Liam Strong

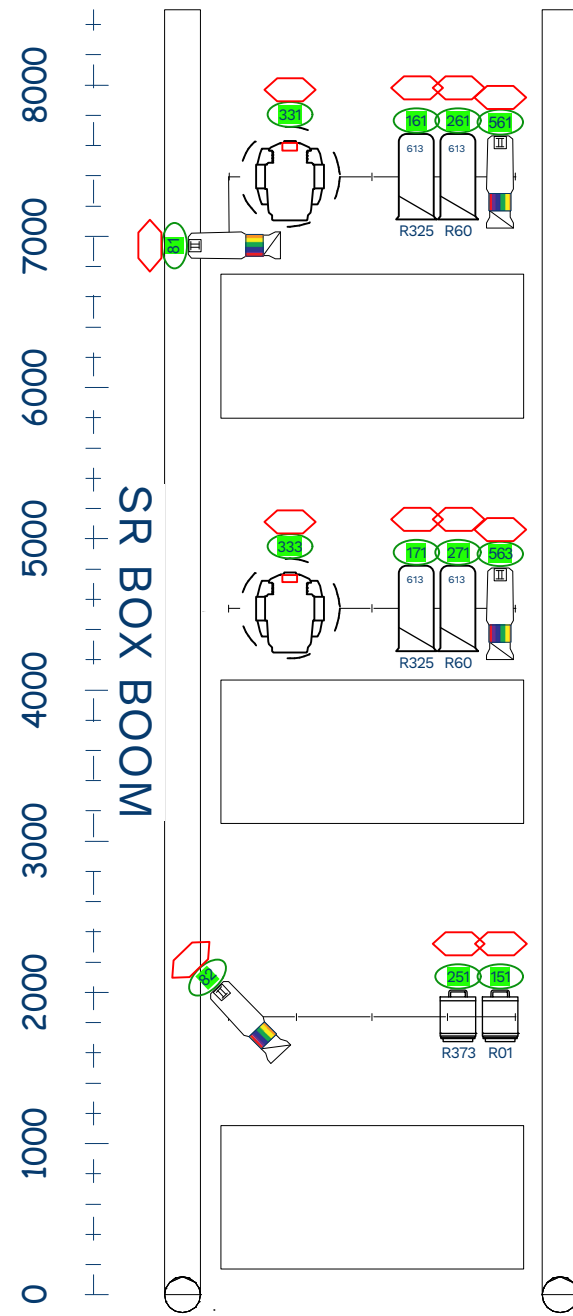
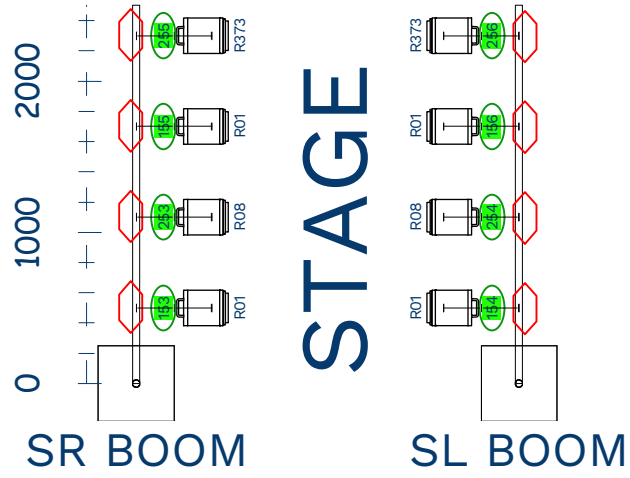
Revision	Date	Scale
1.0.2	26/9/19	1:50

- Accessory
- Rainbow 15" Pro 2 Scroller
- Rainbow 8" Scroller
- Light
- ADB Lighting C203 @ 2kw
- ADB Lighting F101 @ 1.2kw
- ADB Lighting F201 @ 2kw
- ARRI Compact HMI 2500 Theater @ 2.5kw
- ST 5 @ 5kw
- ETC CE Source4 PAR MCM (MFL) @ 575w
- ETC Source4 14deg 750w @ 750w
- ETC Source4 19deg 750w @ 750w
- ETC Source4 26deg 750w @ 750w
- ETC Source4 36deg 750w @ 750w
- ETC Source4 50deg 750 @ 750w
- ETC Source4 LED2LS 14deg @ 171w
- ETC Source4 LED2LS 26deg @ 171w
- Robert Juliat 611 SX @ 1kw/1.2kw
- Robert Juliat 613 SX @ 1kw/1.2kw
- Robert Juliat 614 SX @ 1kw/1.2kw
- Moving Light
- ETC Revolution @ 750w
- Martin MAC TW1 @ 1.233kw
- Martin MAC TW1 Narrow @ 1.233kw

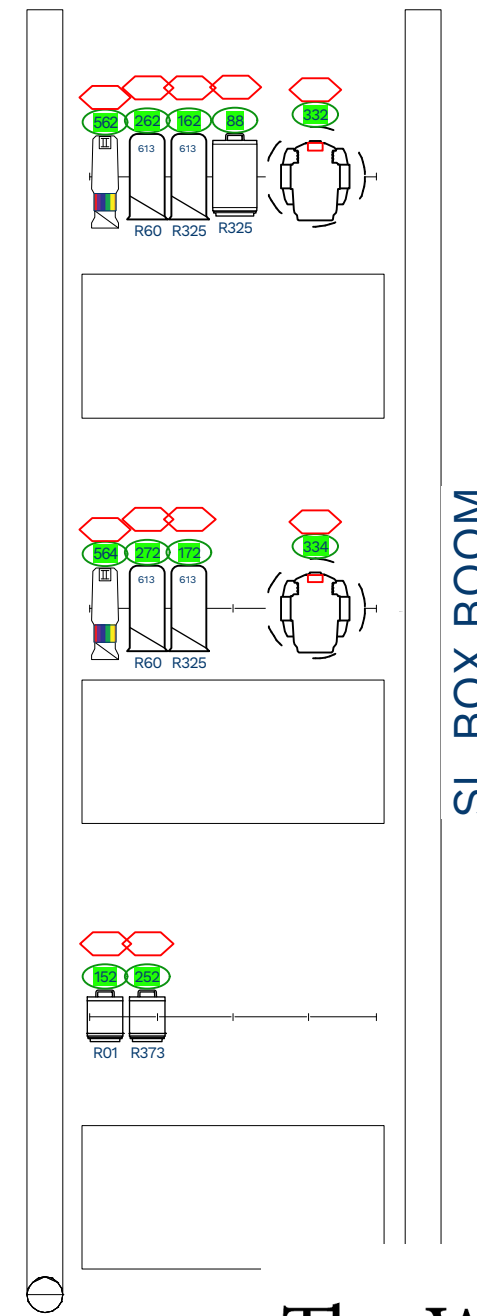
Color Gobo 1 Unit 1

A3 Sht-2 OF 3



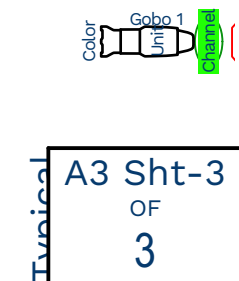


# STAGE



The Wheel

- Accessory**
- Rainbow 15" Pro 2 Scroller
  - Rainbow 8" Scroller
- Light**
- ADB Lighting C203 @ 2kw
  - ADB Lighting F101 @ 1.2kw
  - ADB Lighting F201 @ 2kw
  - ARRI Compact HMI 2500 Theater @ 2.5kw
  - ST 5 @ 5kw
  - ETC CE Source4 PAR MCM (MFL) @ 575w
  - ETC Source4 14deg 750W @ 750 w
  - ETC Source4 19deg 750W @ 750w
  - ETC Source4 26deg 750W @ 750w
  - ETC Source4 36deg 750W @ 750w
  - ETC Source4 50deg 750 @ 750w
  - ETC Source4 LED2LS 14deg @ 171w
  - ETC Source4 LED2LS 26deg @ 171w
  - Robert Juliat 611 SX @ 1kw/1.2kw
  - Robert Juliat 613 SX @ 1kw/1.2kw
  - Robert Juliat 614 SX @ 1kw/1.2kw
- Moving Light**
- ETC Revolution @ 750w
  - Martin MAC TW1 @ 1.233kw
  - Martin MAC TW1 Narrow @ 1.233kw



A3 Boom Plot		
Milton Court Theatre		
Director: Caroline Byrne		
Designer: Ana Inés Jabares-Pita		
Lighting Designer: Liam Strong		
Revision	Date	Scale
1.0.2	26/9/19	1:50